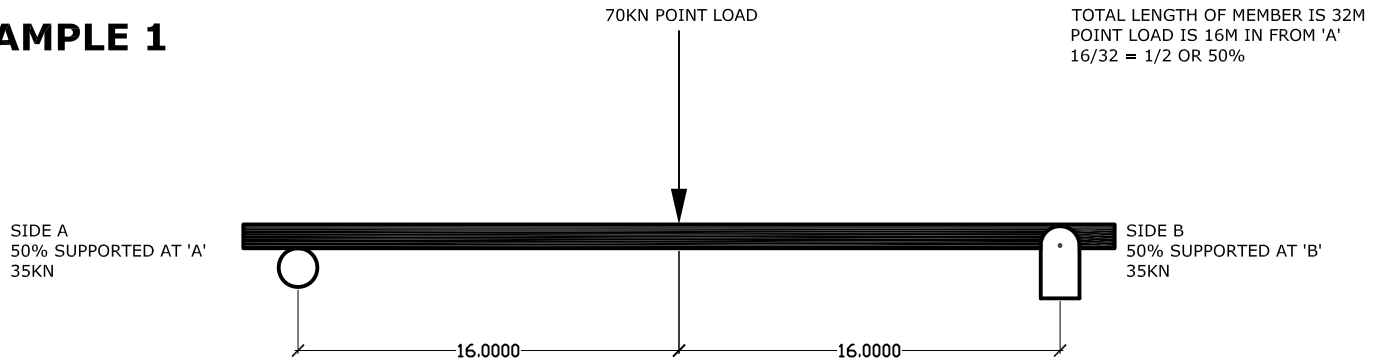


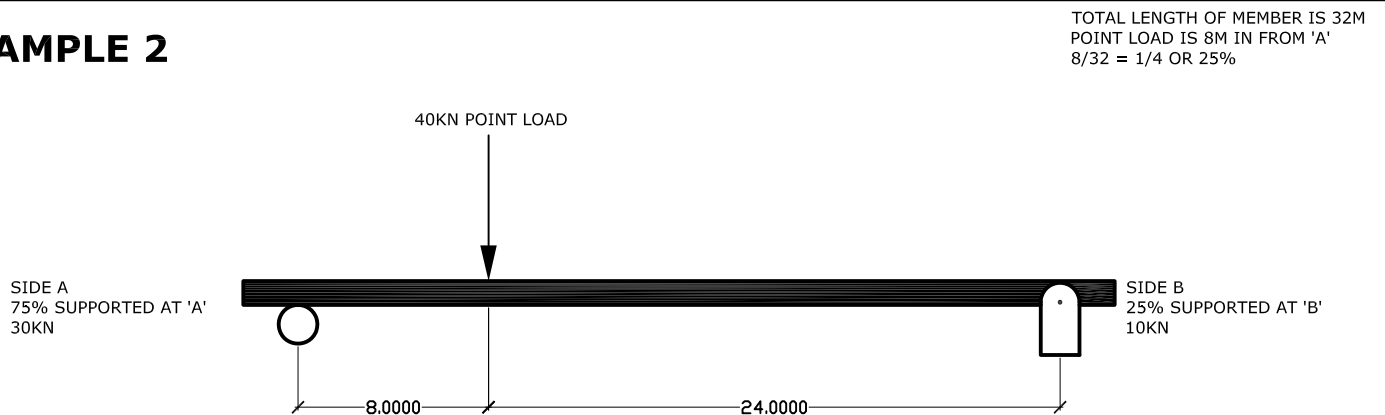
STATICS

POINT LOAD DISTRIBUTION ON A STRUCTURAL MEMBER

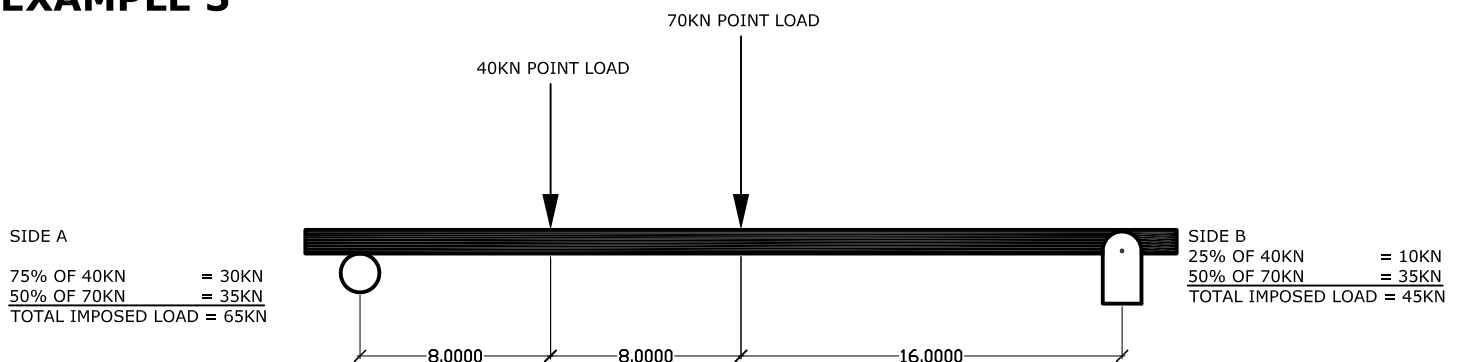
EXAMPLE 1



EXAMPLE 2



EXAMPLE 3



EXAMPLE 4

