

Top

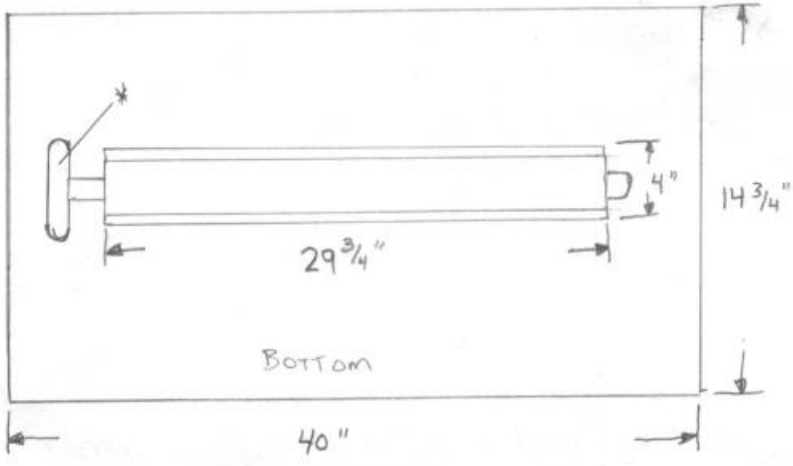
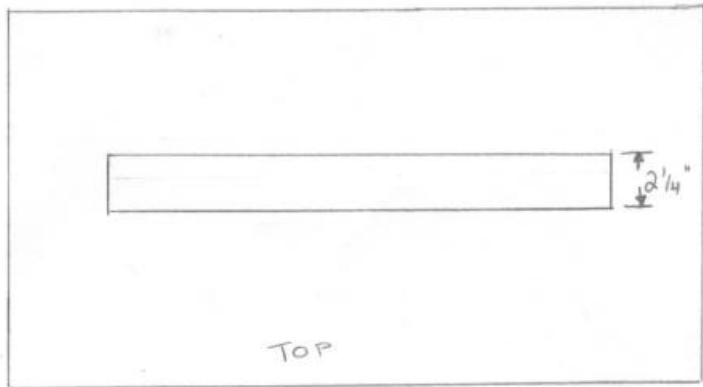
2 in 1 Drum Sander

By: MIKE | DATE: 09/06/08 | NOT TO SCALE

STOCKROOM SUPPLY

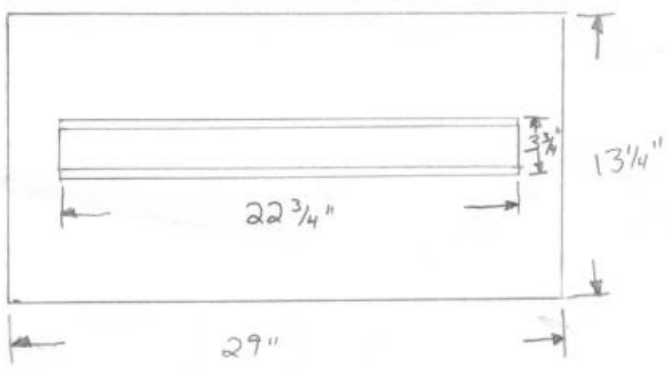
--- Motors

30" Drum Table Top



* engraved to fit pulley and bearings

18" Drum Table Top



2in1 Table Top		
By: Mike	DATE: 07/06/05	NOT TO SCALE
STOCKROOM SUPPLY		

Plan for the 2 in 1 V-Drum Sander Box

Designed by Mike

Item	Description	Size	Material	Quantity
A	30" Drum Face	1" x 4" x 40"	Plywood	1
B	30" Drum Face	1" x 7-3/4" x 4-1/2"	Plywood	1
C	30" Drum Face	1" x 7-3/4" x 4-1/2"	Plywood	1
D	30" Drum Face	1" x 4" x 40"	Plywood	1
E	Left Box Side	1" x 15-7/8" x 15-7/8"	Plywood	1
F	Box Back	1" x 13-7/8" x 40"	Plywood	1
G	Right Box Side	1" x 15-7/8" x 15-7/8"	Plywood	1
H	Box Bottom	1" x 15-7/8" x 40"	Plywood	1
J	Left 30" Drum Support	1" x 4" x 13-5/8"	Plywood	1
K	30" Drum Dust Pan	1/2" x 13-5/8" x 33"	Plywood	1
L	Right 30" Drum Support	1" x 4" x 13-5/8"	Plywood	1
M	Spacer	1" x 3-1/2" x 3-1/2"	Plywood	1
N	18" Drum Dust Pan	1/2" x 9-3/8" x 19"	Plywood	1
O	Left 18" Drum Support	1" x 3-1/4" x 13-7/8"	Plywood	1
P	Right 18" Drum Support	1" x 3-1/4" x 13-7/8"	Plywood	1
Q	18" Drum Face	1" x 4" x 40"	Plywood	1
R	18" Drum Face	1" x 5-7/8" x 8-1/2"	Plywood	1
S	18" Drum Face	1" x 5-7/8" x 10-1/4"	Plywood	1
T	18" Drum Face	1" x 4" x 40"	Plywood	1
	Hinges	5		
	Power Switch		2	
	Switch Box		2	
	Junction Box		1	
	14/2 wire	15 ft		
	1/4HP Motor		1	
	18" V-Drum Kit		1	
	1/2HP Motor		1	
	30" V-Drum Kit		1	
	Screws	as needed		