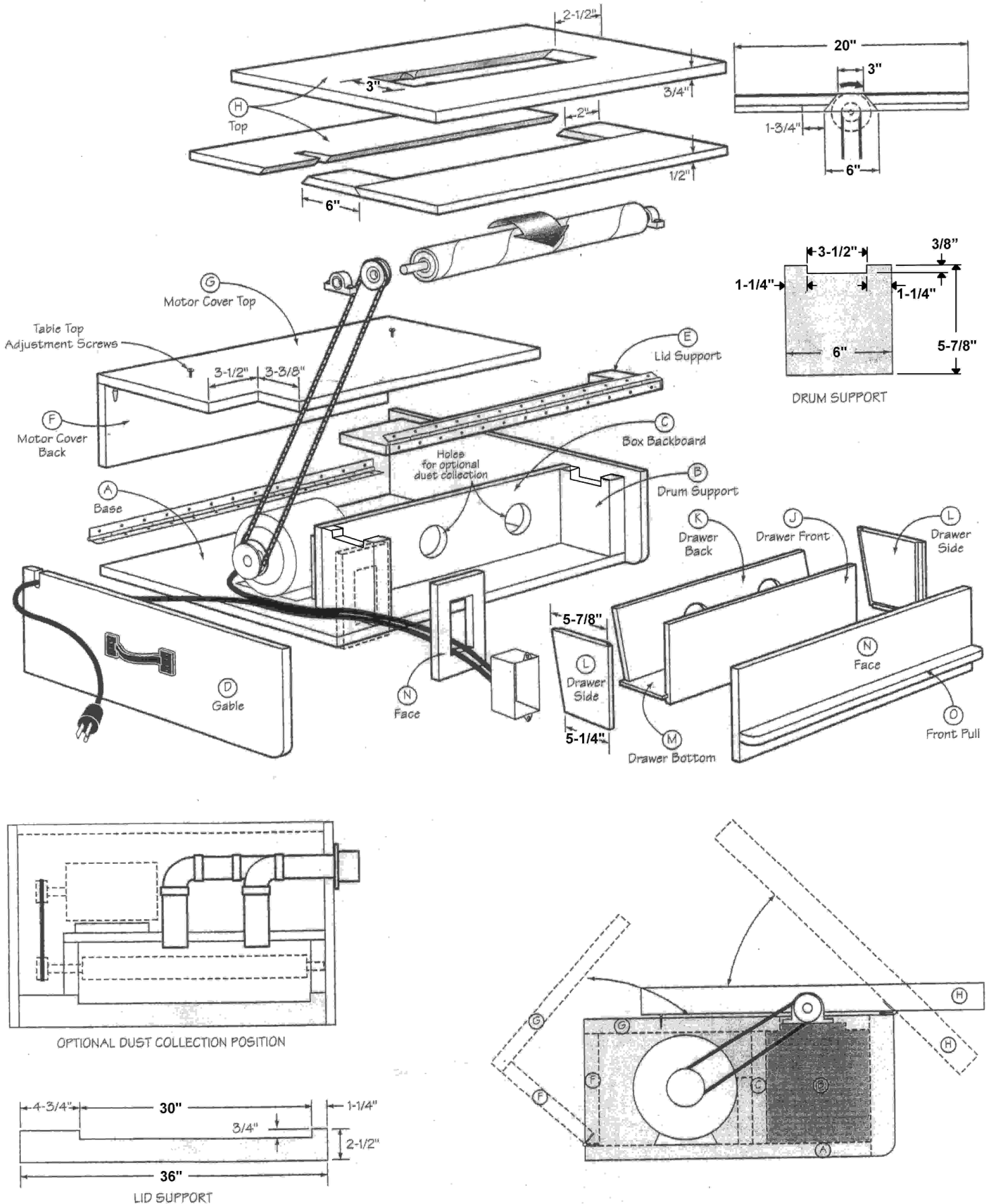


Basic Plan For the 30" Portable V-Drum Sander



Stockroom Supply

Toll Free: 1-877-287-5017 Fax: (905) 899-0530 www.stockroomsupply.com

Motor Dimensions May Vary. Adjust plan to accommodate motor.

Basic Plan for the Portable 30" V-Drum Sander

Adjust to material availability and your own specific needs.

Item	Description	Size	Material	Quantity
A	Base	3/4" x 16" x 36"	Birch Ply	1
B	Drum Supports	1-1/4" x 6" x 5-7/8"	Hardwood	2
C	Box Backboard	3/4" x 5-7/8" x 32-1/2"	Birch Ply	1
D	Outside Gables	3/4" x 7-3/8" x 17-1/4"	Birch Ply	2
E	Lid Support	3/4" x 2-1/2" x 36"	Birch Ply	1
F	Motor Cover Back	3/4" x 5-3/4" x 35-7/8"	Birch Ply	1
G	Motor Cover Top	3/4" x 11-1/4" x 35-7/8"	Birch Ply	1
H	Top	1-1/4" x 20" x 37-1/2"	MDF	
J	Drawer Front	1/2" x 4-1/8" x 29"	Birch Ply	1
K	Drawer Back	1/2" x 4-1/8" x 29"	Birch Ply	1
L	Sides	1/2" x 4-1/8" x 5-7/8"	Birch Ply	2
M	Drawer Bottom	1/4" x 5-1/4" x 29"	Birch Ply	1
N1	Face (Drawer Front)	1/2" x 6-3/8" x 31-7/8"	Birch Ply	1
N2	Face (Switch)	1/2" x 3-7/8" x 6-1/4"	Birch Ply	1
O	Front Pull	3/4" x 1-1/4" x 3-7/8"	Birch Ply	1
	Transport Handles			2
	3/4" x 24" Piano Hinges			2
	Power Switch			1
	Switch Box			1
	Cover Plate			1
	14/3 wire	15 ft		
	1/2HP Motor (1750 rpm)			1
	30" V-Drum Kit			1
	5/16" x 2-1/2" Lag Bolts			4
	5/16" x 1" Carriage Bolts			2
	5/16" Lock Washers and Nuts			
	#8 x 1-1/2" wood screws		as needed	
	#8 cup washers		as needed	
	2" Dust Collection		Optional	